

Kinesit

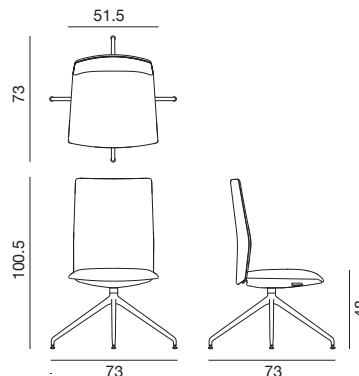
Design by Lievore Altherr Molina, 2014

Art. 4859

Chair with aluminum swivel trestle base on glides. Seat with built-in self-tensioning weight response mechanism, backrest with 3-position recline, adjustable lumbar support breathing up to 60 mm. Medium back and seat completely upholstered in leather, customer's leather, coated fabric, fabric or customer's fabric. Fixed or 2D adjustable armrests in nylon fiber are available upon request and with a surcharge. Back and seat can be ordered in different colors of the same upholstery, with a surcharge.



Dimensions *



* File CAD 2D - 3D available for download at www.arper.com

Frame Base



Shell

arper

www.arper.com

info@arper.com

Kinesit

Design by Lievore Altherr Molina, 2014

Accessories:

Set of glides Art. 2015



Armrest 2D



Armrest

SHIPMENT DETAILS

Art.4859

1 pz = 1  - kg 22/ m³ 0,45

TECHNICAL SPECIFICATIONS

Art.4859

COL requirement m² 2.7

H 140 cm. COM Meterage m 1.49

*Classe 1, 2, 1IM: fire retardant version available with surcharge and eventual minimum batch

RESISTANCE TEST

FIRE RETARDANT TEST

ENVIRONMENTAL CERTIFICATIONS



arper

www.arper.com
info@arper.com

www.arper.com