

Catifa 46 Counter Stool

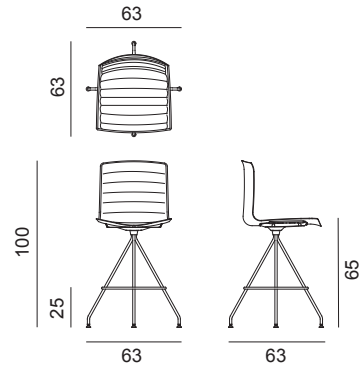
Design by Lievore Altherr Molina, 2013

Art. 0322

Low stool on swivelling, chromed steel base. The polypropylene shell is upholstered with a removable non-washable cover in leather, coated fabric, fabric or customer's own material. The cover stitching comes in the same color as the upholstery. Stitching on cover 1 and 3 comes in white or black, to customer's choice. The chair is provided already fitted with the cover. Seat height 65 cm. Backrest height 100 cm.



Dimensions *



* File CAD 2D - 3D available for download at www.arper.com

Frame Base



CRO

Shell



Cover 1



Cover 2



Cover 3



Cover 4

arper

info@arper.com

www.arper.com

Catifa 46 Counter Stool

Design by Lievore Altherr Molina, 2013


Accessories:




Set of glides Art. 2015

SHIPMENT DETAILS

Art.0322

1 pz = 2  - kg 14,56/ m³ 0,261

4 pz = 5  - kg 56,24/ m³ 0,764

RESISTANCE TEST

- TUV GS (EN16139)

ENVIRONMENTAL CERTIFICATIONS



TECHNICAL SPECIFICATIONS

Art.0322

COL requirement m² 1.97

H 140 cm. COM Meterage m 1.08

*Classe 1, 2, 11M: fire retardant version available with surcharge and eventual minimum batch

FIRE RETARDANT TEST

arper

www.arper.com

info@arper.com