

Adell

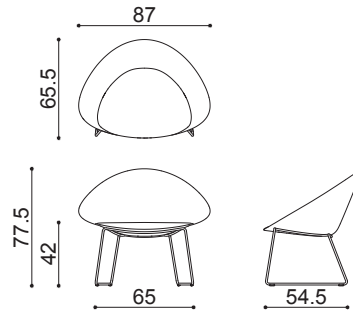
Design by Lievore + Altherr Désile Park, 2020

Art. 6804

Lounge chair with powder-coated steel sled base. Polypropylene shell with distinctive texture made with 80% recycled materials, available in four colours, featuring a cushion attached to the seat covered with fabric, leather, coated fabric or a covering of the client's choice.

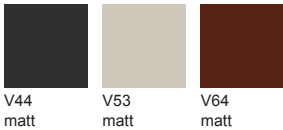


Dimensions *



* File CAD 2D - 3D available for download at www.arper.com

Frame Base



Shell

arper

www.arper.com


info@arper.com


Adell

Design by Lievore + Altherr Désile Park, 2020

SHIPMENT DETAILS

Art.6804

1 pz = 2  - kg 16,1/ m³ 0,501

4 pz = 2  - kg 47,6/ m³ 0,793

TECHNICAL SPECIFICATIONS

Art.6804

COL requirement m² 1.02

H 140 cm. COM Meterage m 0.69

RESISTANCE TEST

FIRE RETARDANT TEST

ENVIRONMENTAL CERTIFICATIONS



arper

www.arper.com
info@arper.com

www.arper.com