

# Catifa 46

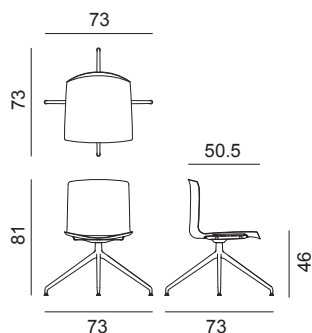
Design by Lievore Altherr Molina, 2004

## Art. 0368

Chair with polished or powdercoated aluminium swivel trestle base. The shell is available in single-colour polypropylene, bi-colour polypropylene or covered in hard leather without padding. Polypropylene and steel armrests, are available upon request.



Dimensions \*



\* File CAD 2D - 3D available for download at [www.arper.com](http://www.arper.com)

### Frame Base



### Shell

#### Polypropylene



arper

info@arper.com

www.arper.com

# Catifa 46

Design by Lievore Altherr Molina, 2004

Accessories:



Cushion Art. 0261



Set of glides Art. 2015

Removable cover Art. 0309



Armrests BV



Armrests CV - pad (only for PO)

## SHIPMENT DETAILS

### Art.0368

- 1 pz = 2  - kg 10,1/ m<sup>3</sup> 0,245
- 1 pz = 3  - kg 12,48/ m<sup>3</sup> 0,274
- 4 pz = 2  - kg 30,4/ m<sup>3</sup> 0,336
- 4 pz = 3  - kg 38,54/ m<sup>3</sup> 0,372

## RESISTANCE TEST

- EN 1728:2012 - EN 16139:2013 6.10
- EN 1728:2012 - EN 16139:2013 6.15
- EN 1728:2012 - EN 16139:2013 6.17
- EN 1728:2012 - EN 16139:2013 6.20
- EN 1728:2012 - EN 16139:2013 6.5
- EN 1728:2012 - EN 16139:2013 6.6

- EN 1728:2012 - EN 16139:2013 6.11
- EN 1728:2012 - EN 16139:2013 6.16
- EN 1728:2012 - EN 16139:2013 6.18
- EN 1728:2012 - EN 16139:2013 6.4
- TUV GS (EN16139)

## TECHNICAL SPECIFICATIONS

Art.0368

\*Classe 1, 2, 11M: fire retardant version available with surcharge and eventual minimum batch

## FIRE RETARDANT TEST

Classe 11M Omologazione Italia Divina MD Kvadrat Divina Melange 3 Kvadrat Divina 3 Kvadrat Elmosoft Field Kvadrat Revive 1 Kvadrat Steelcut Trio 3 Kvadrat Coated fabric Valencia Spradling

arper

www.arper.com

info@arper.com