

Catifa 46 Bar Stool

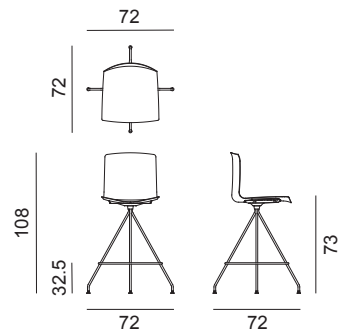
Design by Lievore Altherr Molina, 2004

Art. 0487

High stool on swivelling, chromed steel base. The shell with high backrest is in single-colour polypropylene or bi-colour polypropylene. Seat height 73 cm. Backrest height 108 cm.



Dimensions *



* File CAD 2D - 3D available for download at www.arper.com

Frame Base



CRO

Shell

Polypropylene



PO00204

PO00205

PO00209

PO00212

PO00213

PO00214

PO00215

PO00216

PO00217

PO00218

arper

info@arper.com

www.arper.com

Catifa 46 Bar Stool

Design by Lievore Altherr Molina, 2004

Accessories:



Cushion Art. 0261





Set of glides Art. 2015

Removable cover Art. 0309

SHIPMENT DETAILS

Art.0487

1 pz = 2  - kg 13,46/ m³ 0,402

4 pz = 5  - kg 51,04/ m³ 1,081

RESISTANCE TEST

- EN 1728:2012 - EN 16139:2013 6.17
- EN 1728:2012 - EN 16139:2013 6.21
- EN 1728:2012 - EN 16139:2013 6.4
- EN 1728:2012 - EN 16139:2013 6.8

- EN 1728:2012 - EN 16139:2013 6.18
- EN 1728:2012 - EN 16139:2013 6.24
- EN 1728:2012 - EN 16139:2013 6.5
- TUV GS (EN16139)

TECHNICAL SPECIFICATIONS

Art.0487

*Classe 1, 2, 1IM: fire retardant version available with surcharge and eventual minimum batch

FIRE RETARDANT TEST

arper

www.arper.com

info@arper.com