

Catifa 46

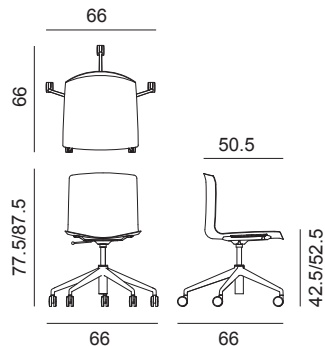
Design by Lievore Altherr Molina, 2012

Art. 0302

Chair with polished or powder-coated aluminum five-star swivel trestle base, mounted on selfbraking castors (color matching with base) and fitted with gas height adjustment mechanism. Polypropylene shell with cushion upholstered in fabric, leather, coated fabric or customer's own material applied to the seat surface. Steel armrests, also upholstered, are available upon request.



Dimensions *



* File CAD 2D - 3D available for download at www.arper.com

Frame Base



Shell

Polypropylene



arper

www.arper.com

info@arper.com

Catifa 46

Design by Lievore Altherr Molina, 2012



Armrests BV



Armrests CI - only pad

SHIPMENT DETAILS

Art.0302

- 1 pz = 2 - kg 14,3/ m³ 0,36
- 1 pz = 3 - kg 16,68/ m³ 0,362
- 4 pz = 5 - kg 51,04/ m³ 1,104
- 4 pz = 6 - kg 60,56/ m³ 1,143

RESISTANCE TEST

- TUV GS (EN16139)

ENVIRONMENTAL CERTIFICATIONS



TECHNICAL SPECIFICATIONS

Art.0302

COL requirement m² 0.48
H 140 cm. COM Meterage m 0.59

FIRE RETARDANT TEST

Classe 1IM Omologazione Italia Divina MD Kvadrat Divina Melange 3
Kvadrat Divina 3 Kvadrat Elmosoft Field Kvadrat Hallingdal 65 Kvadrat
Revive 1 Kvadrat Remix 3 Kvadrat Coated fabric Valencia Spradling

arper

www.arper.com
info@arper.com