

Catifa 53

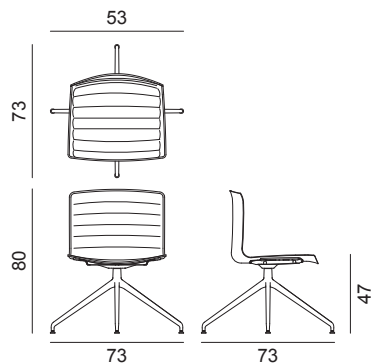
Design by Lievore Altherr Molina, 2013

Art. 3125

Chair with polished or powder-coated aluminium swivel trestle base. The white polypropylene shell is upholstered with a removable non-washable cover in leather, coated fabric, fabric or customer's own material. The cover stitching comes in the same color as the upholstery. Stitching on cover 1 and 3 comes in white or black, to customer's choice. The chair is provided already fitted with the cover. Steel armrests are available upon request.



Dimensions *



* File CAD 2D - 3D available for download at www.arper.com

Frame Base



Shell



arper

info@arper.com

www.arper.com

Catifa 53

Design by Lievore Altherr Molina, 2013

Accessories:



Set of glides Art. 2015



Armrests BV

SHIPMENT DETAILS

Art.3125

1 pz = 2  - kg 11,7/ m³ 0,282
1 pz = 3  - kg 14,8/ m³ 0,311
4 pz = 2  - kg 36,2/ m³ 0,416
4 pz = 3  - kg 44,34/ m³ 0,452

RESISTANCE TEST

ENVIRONMENTAL CERTIFICATIONS



TECHNICAL SPECIFICATIONS

Art.3125

COL requirement m² 2.08
H 140 cm. COM Meterage m 1.23

FIRE RETARDANT TEST

arper

www.arper.com

info@arper.com