

# Catifa 60 Lounge

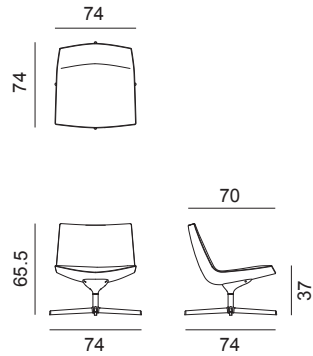
## Design by Lievore Altherr Molina, 2008

### Art. 2140

Lounge chair with polished or powdercoated aluminium pedestal base and low backrest, available in the swivel version (Art. 2139) or with return mechanism (Art. 2140). The polyurethane shell is upholstered in leather, coated fabric, fabric or customer's material. Aluminium armrests are offered in the same finishes of the base, also in upholstered version.

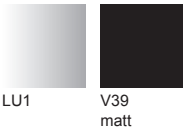


Dimensions \*



\* File CAD 2D - 3D available for download at [www.arper.com](http://www.arper.com)

Frame Base



arper

www.arper.com

info@arper.com

# Catifa 60 Lounge

## Design by Lievore Altherr Molina, 2008

---




Armrests CI


---

### SHIPMENT DETAILS

#### Art.2140

1 pz = 1  - kg 15,05/ m<sup>3</sup>

1 pz = 1  - kg 23,96/ m<sup>3</sup> 0,508

1 pz = 1  - kg 26,54/ m<sup>3</sup> 0,508

---

### RESISTANCE TEST

- EN 1728:2012 - EN 16139:2013 6.10
- EN 1728:2012 - EN 16139:2013 6.17
- EN 1728:2012 - EN 16139:2013 6.20
- EN 1728:2012 - EN 16139:2013 6.25
- EN 1728:2012 - EN 16139:2013 6.4

- EN 1728:2012 - EN 16139:2013 6.11
- EN 1728:2012 - EN 16139:2013 6.18
- EN 1728:2012 - EN 16139:2013 6.24
- EN 1728:2012 - EN 16139:2013 6.26
- EN 1728:2012 - EN 16139:2013 6.5

---

### ENVIRONMENTAL CERTIFICATIONS



---

### TECHNICAL SPECIFICATIONS

Art.2140

COL requirement m<sup>2</sup> 2.76

H 140 cm. COM Meterage m 1.82

---

### FIRE RETARDANT TEST

arper

www.arper.com  
info@arper.com

www.arper.com