

# Catifa 46 Counter Stool

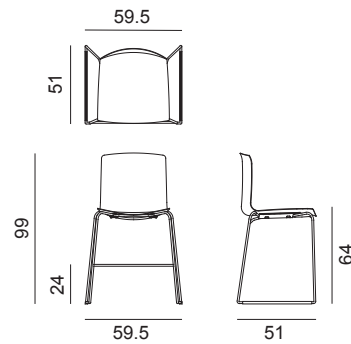
## Design by Lievore Altherr Molina, 2004

### Art. 0477

Stool with chromed or powder-coated steel sled base and polypropylene shell with front upholstery in leather, coated fabric, fabric or customer's own material. Seat height 64 cm. Optional glides with felt for wooden floors are available upon request.



Dimensions \*



\* File CAD 2D - 3D available for download at [www.arper.com](http://www.arper.com)

#### Frame Base



CRO

V12  
matt

V39  
matt

#### Shell

##### Polypropylene



PO00101

PO00104

PO00105

PO00109

PO00112

PO00113

PO00114

PO00115

PO00116

PO00117

PO00118

- with stacking pad, without tools up to 8 units
- with stacking pad, with trolley up to 8 units
  
- leather / coated fabric: with stacking pad, without tools up to 5 units
- leather / coated fabric: with stacking pad, with trolley up to 5 units

arper

info@arper.com

www.arper.com

# Catifa 46 Counter Stool

## Design by Lievore Altherr Molina, 2004

---

Accessories:



Stacking protection pad Art.  
0499





Trolley Art. 0760

---

### SHIPMENT DETAILS

#### Art.0477

1 pz = 2  - kg 14/ m<sup>3</sup> 0,345

4 pz = 2  - kg 45,04/ m<sup>3</sup> 0,46

---

### RESISTANCE TEST

- TUV GS (EN16139)

---

### ENVIRONMENTAL CERTIFICATIONS



---

### TECHNICAL SPECIFICATIONS

Art.0477

COL requirement m<sup>2</sup> 0.94

H 140 cm. COM Meterage m 0.65

---

### FIRE RETARDANT TEST

arper

www.arper.com

info@arper.com