

Catifa 46 Counter Stool

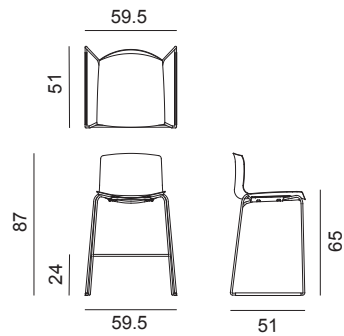
Design by Lievore Altherr Molina, 2004

Art. 0484

Stool with chromed or powdercoated steel sled base and polypropylene shell covered in hard leather without padding. Seat height 65 cm. Optional glides with felt for wooden floors are available upon request.



Dimensions *



* File CAD 2D - 3D available for download at www.arper.com

Frame Base



Shell

- CT: with stacking pad, without tools up to 5 units
- CT: with stacking pad, with trolley up to 5 units

arper

info@arper.com

www.arper.com

Catifa 46 Counter Stool

Design by Lievore Altherr Molina, 2004

Accessories:




Stacking protection pad Art.
0262




Trolley Art. 0760

SHIPMENT DETAILS

Art.0484

1 pz = 2  - kg 11,8/ m³ 0,305

4 pz = 2  - kg 40,1/ m³ 0,384

RESISTANCE TEST

- TUV GS (EN16139)

ENVIRONMENTAL CERTIFICATIONS



TECHNICAL SPECIFICATIONS

FIRE RETARDANT TEST

arper

www.arper.com
info@arper.com

www.arper.com