

Adell

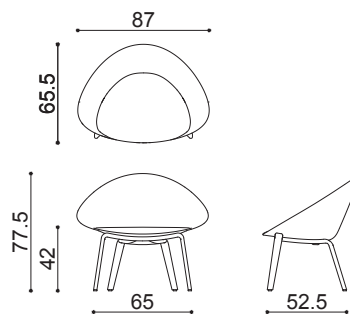
Design by Lievore + Altherr Désile Park, 2020

Art. 6807

Lounge chair on a four-legged base in plywood with a reconstituted natural or dyed oak finish. Polypropylene shell with distinctive texture made with 80% recycled materials, available in four colours, featuring a cushion attached to the seat covered with fabric, leather, coated fabric or a covering of the client's choice.



Dimensions *



* File CAD 2D - 3D available for download at www.arper.com

Frame Base



L0006



L0022

Shell

arper

www.arper.com


info@arper.com


Adell

Design by Lievore + Altherr Désile Park, 2020

SHIPMENT DETAILS

Art.6807

1 pz = 2  - kg 14/ m³ 0,457

4 pz = 2  - kg 42/ m³ 0,809

TECHNICAL SPECIFICATIONS

Art.6807

COL requirement m² 1.02

H 140 cm. COM Meterage m 0.69

RESISTANCE TEST

FIRE RETARDANT TEST

arper

www.arper.com

info@arper.com