

# Kinesit

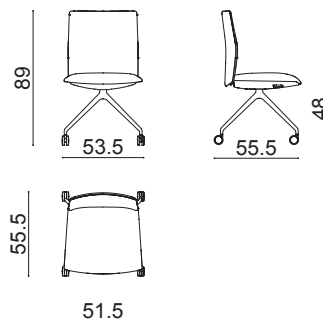
Design by Lievore Altherr Molina, 2014

## Art. 4844

Chair with aluminum fixed trestle base on self-breaking castors (color matching base). Seat with built-in self-tensioning weight response mechanism, backrest with 3-position recline, adjustable lumbar support breathing up to 60 mm. Low backrest with visible backshell (available in black or white), front in polyester mesh in matching color. Seat upholstered in leather, customer's leather, coated fabric, fabric or customer's fabric. Fixed or 2D adjustable armrests in nylon fiber, color matching backshell, are available upon request and with a surcharge.



Dimensions \*



\* File CAD 2D - 3D available for download at [www.arper.com](http://www.arper.com)

Frame Base



arper

info@arper.com

www.arper.com

# Kinesit

Design by Lievore Altherr Molina, 2014

---



Armrest 2D



Armrest

---

## SHIPMENT DETAILS

### Art.4844

1 pz = 1  - kg 21/ m<sup>3</sup> 0,4

---

## RESISTANCE TEST

---

## ENVIRONMENTAL CERTIFICATIONS



---

## TECHNICAL SPECIFICATIONS

Art.4844

COL requirement m<sup>2</sup> 0.85

H 140 cm. COM Meterage m 0.72

---

## FIRE RETARDANT TEST

Classe 1IM Omologazione Italia Canvas 2 Kvadrat Elmosoft Remix 3 Kvadrat Steelcut Trio 3 Kvadrat Coated fabric Valencia Spradling

arper

www.arper.com  
info@arper.com

www.arper.com