

Kinesit Met

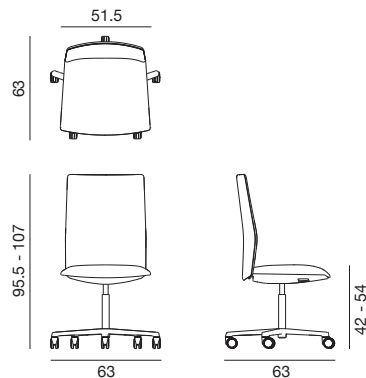
Design by Lievore Altherr Molina, 2021

Art. 4864

Chair with powder coated aluminum 5 way swivel base on self-braking castors (black, available for hard and soft floors), fitted with gas-lift mechanism for height adjustment. Seat with built-in self-tensioning weight response mechanism, backrest with 3-position recline, adjustable lumbar support breathing up to 60 mm. Mid-backrest and seat both with fabric, leather, coated fabric or customer's own material. On request and with an additional charge, fixed aluminium armrests are available in the same finishes as the base and the seat and backrest can be made using different shades of the same cover.



Dimensions *



* File CAD 2D - 3D available for download at www.arper.com

Frame Base



V14
matt

V15
matt

V16
matt

Shell

arper

info@arper.com

www.arper.com

Kinesit Met

Design by Lievore Altherr Molina, 2021



SHIPMENT DETAILS

Art.4864

1 pz = 1  - kg 22/ m³ 0,448

TECHNICAL SPECIFICATIONS

Art.4864

COL requirement m² 2.7

H 140 cm. COM Meterage m 1.49

*Classe 1, 2, 1IM: fire retardant version available with surcharge and eventual minimum batch

RESISTANCE TEST

FIRE RETARDANT TEST

ENVIRONMENTAL CERTIFICATIONS

arper

www.arper.com
info@arper.com

www.arper.com