

Catifa 46

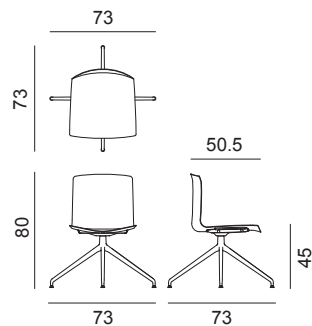
Design by Lievore Altherr Molina, 2004

Art. 0377

Chair with polished or powder-coated aluminium swivel trestle base. Oak-effect reconstituted veneer shell available in three finishes (natural oak, bleached oak, wengé). Steel armrests are available upon request.



Dimensions *



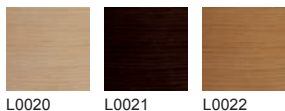
* File CAD 2D - 3D available for download at www.arper.com

Frame Base



Shell

Wood



arper

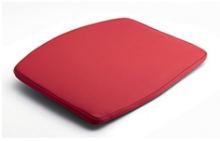
info@arper.com

www.arper.com

Catifa 46

Design by Lievore Altherr Molina, 2004

Accessories:



Cushion Art. 0261



Set of glides Art. 2015



Armrests BV

SHIPMENT DETAILS

Art.0377

- 1 pz = 2  - kg 9,58/ m² 0,243
- 1 pz = 3  - kg 11,96/ m² 0,272
- 4 pz = 2  - kg 28,3/ m² 0,348
- 4 pz = 3  - kg 36,44/ m² 0,384

RESISTANCE TEST

- TUV GS (EN16139)

ENVIRONMENTAL CERTIFICATIONS



TECHNICAL SPECIFICATIONS

Art.0377

*Classe 1, 2, 1IM: fire retardant version available with surcharge and eventual minimum batch

FIRE RETARDANT TEST

arper

www.arper.com
info@arper.com

www.arper.com