

Catifa 46 Counter Stool

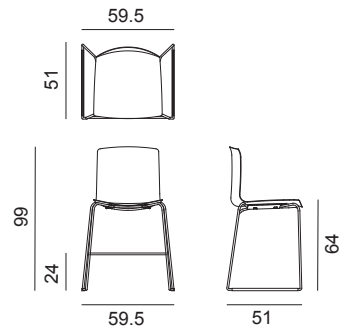
Design by Lievore Altherr Molina, 2012

Art. 0304

Stool with chromed or powder-coated steel sled base and Polypropylene shell with cushion upholstered in fabric, leather, coated fabric or customer's own material applied to the seat surface. Seat height 64 cm. Optional glides with felt for wooden floors are available upon request.



Dimensions *



* File CAD 2D - 3D available for download at www.arper.com

Frame Base



CRO

V12
matt

V39
matt

Shell

Polypropylene



PO00204

PO00205

PO00209

PO00212

PO00213

PO00214

PO00215

PO00216

PO00217

PO00218

- with stacking pad, without tools up to 8 units
- with stacking pad, with trolley up to 8 units

- leather / coated fabric: with stacking pad, without tools up to 5 units
- leather / coated fabric: with stacking pad, with trolley up to 5 units

arper

www.arper.com

info@arper.com

Catifa 46 Counter Stool

Design by Lievore Altherr Molina, 2012

Accessories:




Stacking protection pad Art.
0499




Trolley Art. 0760

SHIPMENT DETAILS

Art.0304

1 pz = 2  - kg 14/ m³ 0,345

4 pz = 2  - kg 45,04/ m³ 0,46

RESISTANCE TEST

- TUV GS (EN16139)

ENVIRONMENTAL CERTIFICATIONS



TECHNICAL SPECIFICATIONS

Art.0304

COL requirement m² 0.48

H 140 cm. COM Meterage m 0.59

FIRE RETARDANT TEST

arper

www.arper.com
info@arper.com

www.arper.com