

Pix Table

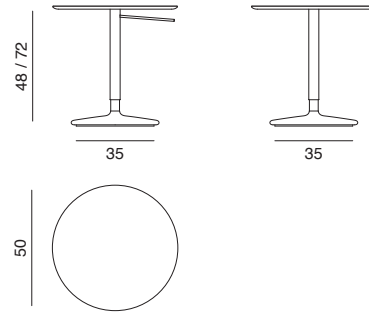
Design by Ichiro Iwasaki, 2014

Art. 3050

Table with round powdercoated metal base and MDF round top (Thick 1,2 cm) fitted with gas-lift mechanism for height adjustment. Base and top are available in 2 different colors.



Dimensions *



* File CAD 2D - 3D available for download at www.arper.com

Frame Base



V12
matt



V39
matt

arper

www.arper.com


info@arper.com

Pix Table

Design by Ichiro Iwasaki, 2014

SHIPMENT DETAILS

Art.3050

1 pz = 1  - kg 21,5/ m³ 0,173

TECHNICAL SPECIFICATIONS

arper

www.arper.com

info@arper.com