

Catifa 46

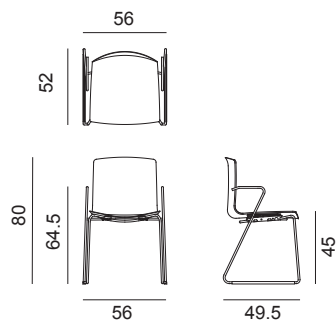
Design by Lievore Altherr Molina, 2004

Art. 0287

Chair with chromed steel sled base fitted with armrests. The shell is available in single-colour polypropylene, bi-colour polypropylene or covered in hard leather without padding. Optional glides with felt for wooden floors are available upon request.



Dimensions *



* File CAD 2D - 3D available for download at www.arper.com

Frame Base



CRO

Shell

Polypropylene



PO00204

PO00205

PO00209

PO00212

PO00213

PO00214

PO00215

PO00216

PO00217

PO00218

Hard leather Grade 1 and Grade 2



CT

CU

arper

info@arper.com

www.arper.com

Catifa 46

Design by Lievore Altherr Molina, 2004

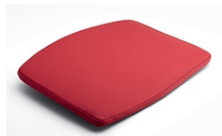
Accessories:



Link Art. 0258



Stacking protection pad with link Art. 0260



Cushion Art. 0261



Stacking protection pad Art. 0262



Writing tablet Art. 0264





Stacking protection glide Art. 0286



Trolley Art. 0760

SHIPMENT DETAILS

Art.0287

1 pz = 2  - kg 10,62/ m³ 0,297
4 pz = 2  - kg 35,7/ m³ 0,392

RESISTANCE TEST

- EN 1728:2000 - EN 15373:2007 6.12
- EN 1728:2000 - EN 15373:2007 6.17
- EN 1728:2000 - EN 15373:2007 6.2.2
- EN 1728:2000 - EN 15373:2007 6.7
- EN 1022:05
- EN 1728:2000 - EN 15373:2007 6.15
- EN 1728:2000 - EN 15373:2007 6.2.1
- EN 1728:2000 - EN 15373:2007 6.6
- EN 1728:2000 - EN 15373:2007 6.8
- TUV GS (EN16139)

ENVIRONMENTAL CERTIFICATIONS



- without tools up to 10 units
- with trolley up to 20 units
- CT: with stacking pad, without tools up to 5 units
- CT: with stacking pad, with trolley up to 5 units
- CT with link: with stacking pad, without tools up to 5 units
- CT with link: with stacking pad, with trolley up to 5 units

- with tablet: without tools up to 5 units
- with tablet: with trolley up to 8 units

TECHNICAL SPECIFICATIONS

Art.0287

*Classe 1, 2, 11M: fire retardant version available with surcharge and eventual minimum batch

FIRE RETARDANT TEST

arper

www.arper.com
info@arper.com