

Cila

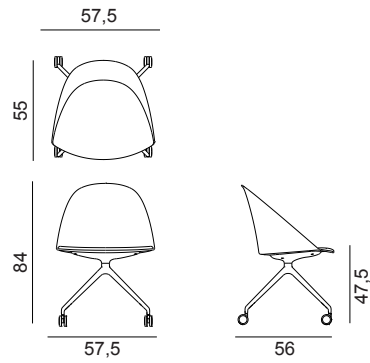
Design by Lievore Altherr, 2017

Art. 2219

Chair with polished or powder-coated aluminium fixed trestle base, mounted on self-braking castors. Shell fully upholstered in leather, coated fabric, fabric or customer's own material.



Dimensions *



* File CAD 2D - 3D available for download at www.arper.com

Frame Base



arper

www.arper.com

info@arper.com


Cila


Design by Lievore Altherr, 2017

SHIPMENT DETAILS

Art.2219

1 pz = 1  - kg 9,746/ m²

1 pz = 2  - kg 14,9/ m² 0,333

4 pz = 2  - kg 45,63/ m² 0,501

TECHNICAL SPECIFICATIONS

Art.2219

COL requirement m² 3

H 140 cm. COM Meterage m 1.31

*Classe 1, 2, 1IM: fire retardant version available with surcharge and eventual minimum batch

FIRE RETARDANT TEST

Thickness

arper

GLIDES

Standard



Hard floor
1AM0237
Optional



Hard floor
1AM0237



Hard floor
1AM0237



Hard floor
1AM0237



Hard floor
1AM0237



Hard floor
1AM0237