

Catifa 70

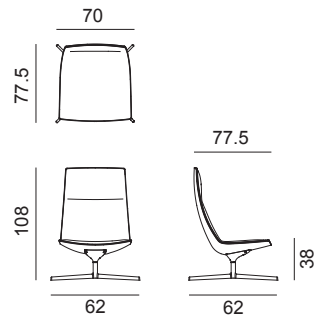
Design by Lievore Altherr Molina, 2006

Art. 2035

Lounge chair with polished or powdercoated aluminium pedestal base, available in the swivel version (Art. 2007) or with return mechanism (Art. 2035). The polyurethane shell is upholstered in leather, coated fabric, fabric or customer's material. Aluminium armrests are offered in the same finishes of the base, also in upholstered version.



Dimensions *



* File CAD 2D - 3D available for download at www.arper.com

Frame Base



LU1



V39
matt

arper

www.arper.com

info@arper.com

Catifa 70

Design by Lievore Altherr Molina, 2006





Armrests CI

SHIPMENT DETAILS

Art.2035

1 pz = 1  - kg 19,81/ m³

1 pz = 1  - kg 36/ m³ 0,955

1 pz = 1  - kg 40/ m³ 0,955

TECHNICAL SPECIFICATIONS

Art.2035

COL requirement m² 3.86

H 140 cm. COM Meterage m 2.7

RESISTANCE TEST

FIRE RETARDANT TEST

ENVIRONMENTAL CERTIFICATIONS



arper

www.arper.com

info@arper.com