

Catifa 46 Bar Stool

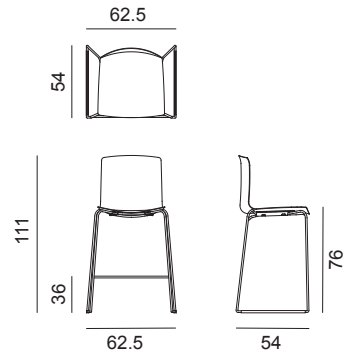
Design by Lievore Altherr Molina, 2004

Art. 0478

Stool with chromed or powder-coated steel sled base and polypropylene shell front upholstery in leather, coated fabric, fabric or customer's own materials. Seat height 76 cm. Optional glides with felt for wooden floors are available upon request.



Dimensions *



* File CAD 2D - 3D available for download at www.arper.com

Frame Base



CRO

V12
matt

V39
matt

Shell

Polypropylene



PO00101

PO00104

PO00105

PO00109

PO00112

PO00113

PO00114

PO00115

PO00116

PO00117

PO00118

- with stacking pad, without tools up to 8 units
- with stacking pad, with trolley up to 8 units

- leather / coated fabric: with stacking pad, without tools up to 5 units
- leather / coated fabric: with stacking pad, with trolley up to 5 units

arper

info@arper.com

www.arper.com

Catifa 46 Bar Stool

Design by Lievore Altherr Molina, 2004

Accessories:




Stacking protection pad Art. 0499




Trolley Art. 0760

SHIPMENT DETAILS

Art.0478

1 pz = 2  - kg 14,4/ m³ 0,378

4 pz = 2  - kg 46,44/ m³ 0,496

RESISTANCE TEST

- TUV GS (EN16139)

ENVIRONMENTAL CERTIFICATIONS



TECHNICAL SPECIFICATIONS

Art.0478

COL requirement m² 0.94

H 140 cm. COM Meterage m 0.65

FIRE RETARDANT TEST

Classe 1M Omologazione Italia Divina MD Kvadrat Divina Melange 3 Kvadrat Divina 3 Kvadrat Coated fabric Valencia Spradling

arper

www.arper.com

info@arper.com