

# Catifa 46

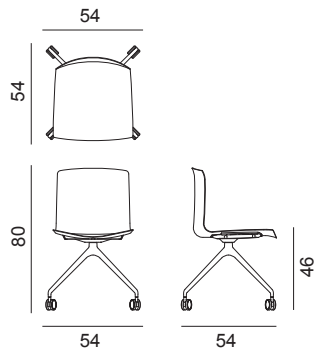
Design by Lievore Altherr Molina, 2014

## Art. 0333

Chair with polished or powder-coated aluminium fixed trestle, mounted on self-braking castors (colour matching with base). Oak-effect reconstituted veneer shell available in three finishes (natural oak, bleached oak, wengé). Front upholstery in fabric or customer's own material. Steel armrests, also upholstered, are available upon request.



Dimensions \*



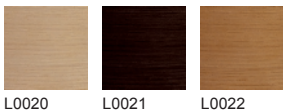
\* File CAD 2D - 3D available for download at [www.arper.com](http://www.arper.com)

Frame Base



Shell

Wood



arper

info@arper.com

www.arper.com

# Catifa 46

Design by Lievore Altherr Molina, 2014

---



Armrests BV



Armrests CI - only pad

---

## SHIPMENT DETAILS

### Art.0333

- 1 pz = 2  - kg 12,9/ m<sup>3</sup> 0,28
- 1 pz = 3  - kg 15,28/ m<sup>3</sup> 0,309
- 4 pz = 2  - kg 38,24/ m<sup>3</sup> 0,404
- 4 pz = 3  - kg 46,38/ m<sup>3</sup> 0,44

---

## RESISTANCE TEST

- TUV GS (EN16139)

---

## ENVIRONMENTAL CERTIFICATIONS



---

## TECHNICAL SPECIFICATIONS

Art.0333

H 140 cm. COM Meterage m 0.65

---

## FIRE RETARDANT TEST

Classe 1IM Omologazione Italia Divina MD Kvadrat Divina Melange 3 Kvadrat Divina 3 Kvadrat Elmosoft Field Kvadrat Hallingdal 65 Kvadrat Revive 1 Kvadrat Remix 3 Kvadrat Coated fabric Valencia Spradling

arper

www.arper.com

info@arper.com