

Catifa 46 Bar Stool

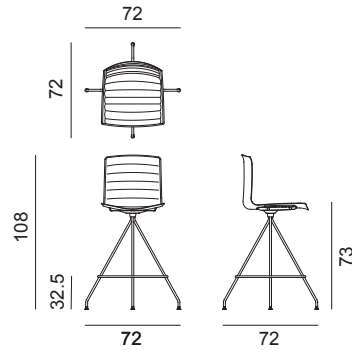
Design by Lievore Altherr Molina, 2013

Art. 0323

High stool on swivelling, chromed steel base. The polypropylene shell with high backrest is upholstered with a removable non-washable cover in leather, coated fabric, fabric or customer's own material. The cover stitching comes in the same color as the upholstery. Stitching on cover 1 and 3 comes in white or black, to customer's choice. The chair is provided already fitted with the cover. Seat height 73 cm. Backrest height 108 cm.



Dimensions *



* File CAD 2D - 3D available for download at www.arper.com

Frame Base



CRO

Shell



Cover 1



Cover 2



Cover 3



Cover 4

arper

info@arper.com

www.arper.com

Catifa 46 Bar Stool

Design by Lievore Altherr Molina, 2013


Accessories:




Set of glides Art. 2015

SHIPMENT DETAILS

Art.0323

1 pz = 2  - kg 14,76/ m³ 0,321

4 pz = 5  - kg 57,04/ m³ 1,004

RESISTANCE TEST

- EN 1728:2012 - EN 16139:2013 6.17
- EN 1728:2012 - EN 16139:2013 6.21
- EN 1728:2012 - EN 16139:2013 6.4
- EN 1728:2012 - EN 16139:2013 6.8
- EN 1728:2012 - EN 16139:2013 6.18
- EN 1728:2012 - EN 16139:2013 6.24
- EN 1728:2012 - EN 16139:2013 6.5
- TUV GS (EN16139)

ENVIRONMENTAL CERTIFICATIONS



TECHNICAL SPECIFICATIONS

Art.0323

COL requirement m² 1.97

H 140 cm. COM Meterage m 1.08

*Classe 1, 2, 1IM: fire retardant version available with surcharge and eventual minimum batch

FIRE RETARDANT TEST

arper

www.arper.com
info@arper.com

www.arper.com